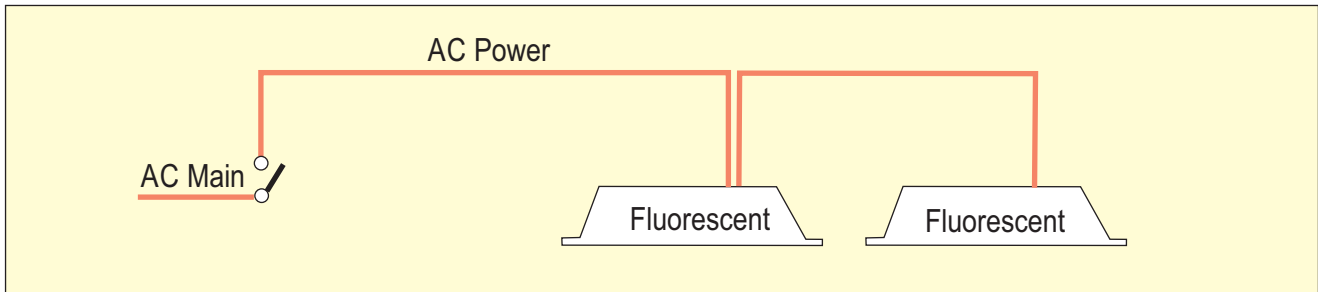
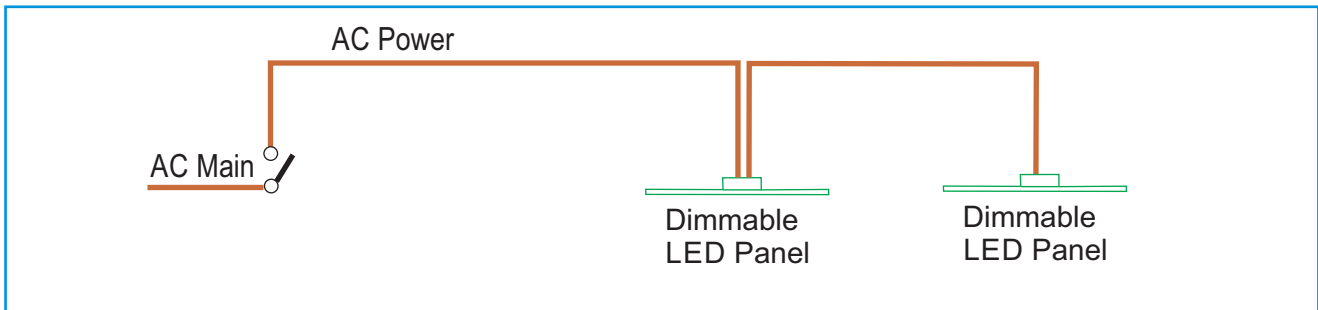


Retrofitting Alec - Enclosed Space

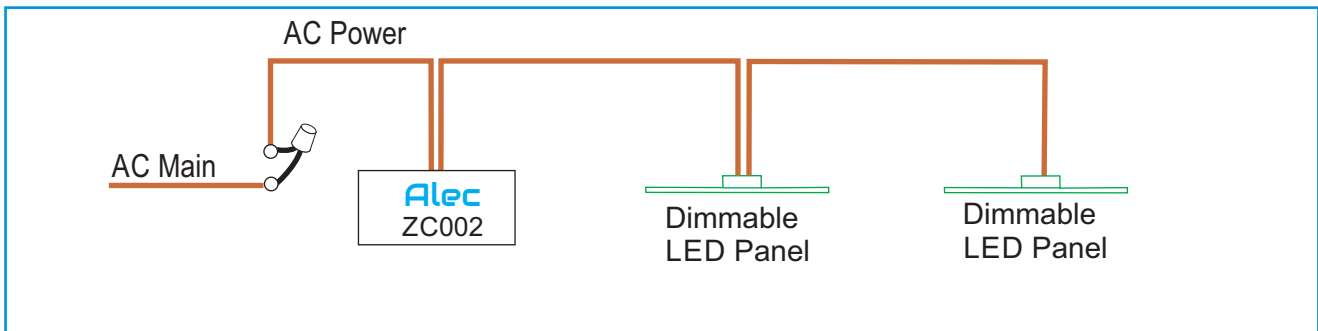
Original Fluorescent Fixtures



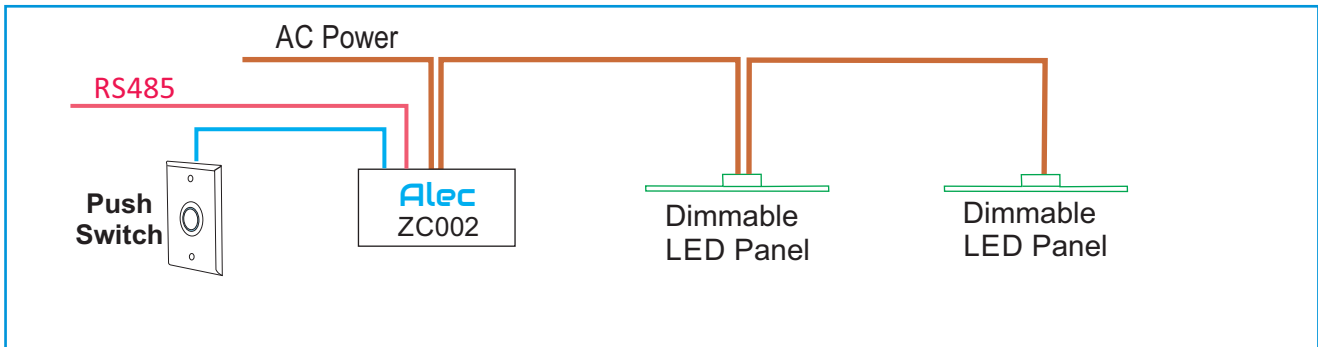
1) Replace fluorescent fixtures with LED panels. Re-use the old L, N and Ground wiring.



2) Cut the AC power line from the switch and connect to **Alec's** power Input and output. Bypass the original manual switch to supply constant power to **Alec**

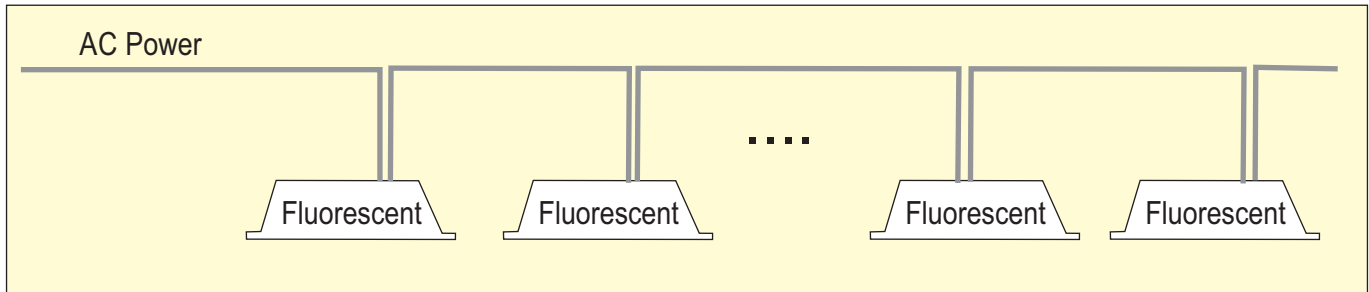


3) Connect low-voltage push button switch and RS485 wire to **Alec**



Retrofitting **Alec** - Break up a large open office into multiple zones using **Alec ZC002**

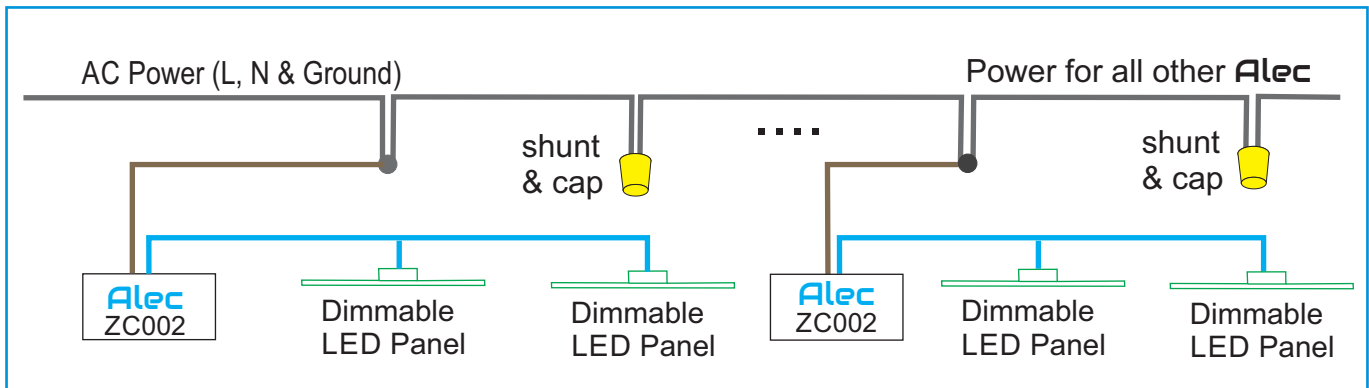
Original Fluorescent Fixtures



1) Remove fluorescent fixtures and AC power connection



2) Install **Alec** and LED panels, wire ZC002 to phase-cut dimmable LED panels using **new power cable**. Connect existing AC power to **Alec**. Shunt and cap the unused AC L & N.



3) Connect low-voltage RS485 that links all ZC002 to the gateway

